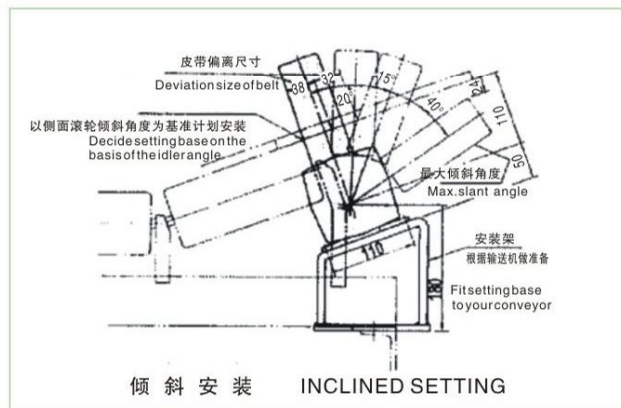
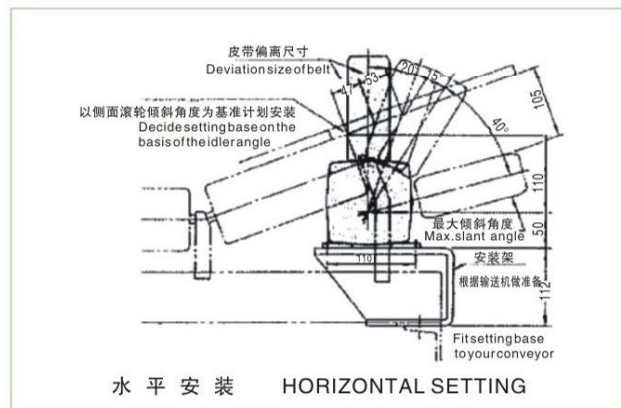


举例说明安装方法

举例安装说明的各部分的尺寸以三槽式的皮带输送机，20度的输送槽角，600mm宽的皮带为参考。关于更宽的皮带输送机的安装，请参考下面安装示意图所标的尺寸作决定。

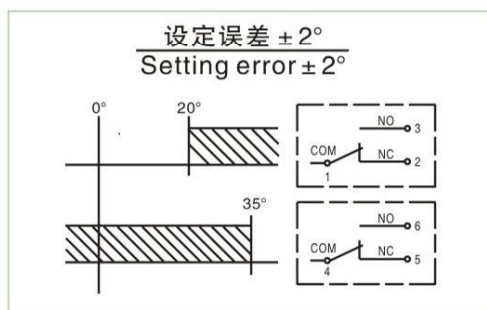
EXAMPLE FOR INSTALLTION

Each dimension shown in the figures is based on a three-trough type belt conveyor, trough angle 20°, and belt width 600mm. For large belt width, computer dimensions of setting base by referring to the figures.



动作说明

- 示意图中的角度为侧面滚轮的倾斜角度
- 接点1, 2倾斜到20度时闭合, 恢复到18度时断开
- 接点4, 5倾斜到35度时断开, 恢复到33度时闭合
- 接点(限位开关)动作位置根据调整凸轮可变更

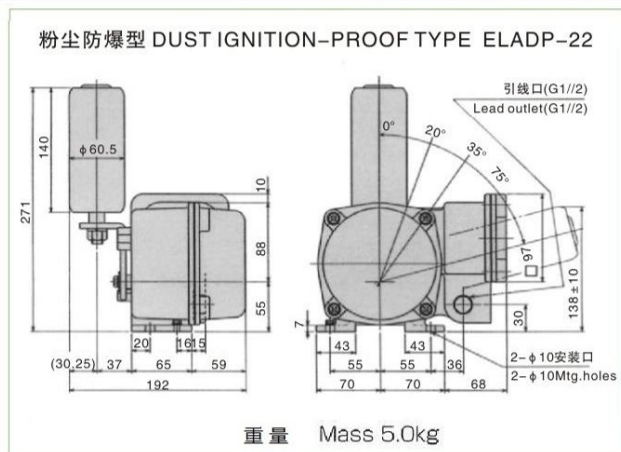
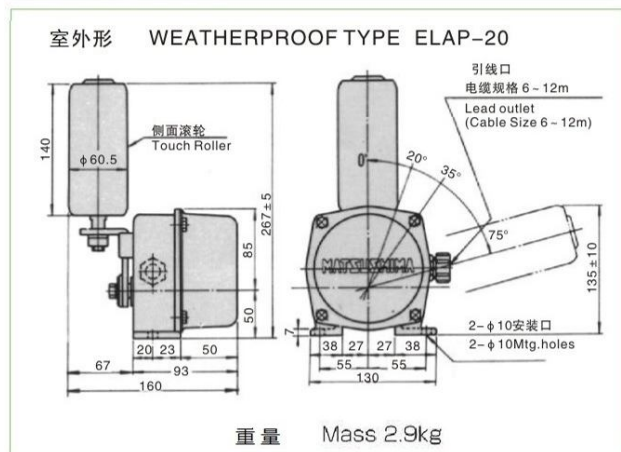


OPERATION

- The angles shown in the figure are the slant angles of the touch roller.
- The contact 1-2 closes at 20° slant, and opens at 18° in reset.
- The contact 4-5 opens at 35° slant, and closes at 33° in reset.
- Action position of the contacts (limit switches) can be changed by adjusting the cams.

外形示意图

DIMENSIONS in mm



注) 因产品的改良, 有可能变更设计说明及外形尺寸。

Note: The specifications are subject to change without notices.

上海达宏松岛机械有限公司

株式会社 マツシマ メジャテック  
Matsushima Measure Tech Co., Ltd.

〒201801  
上海市嘉定区马陆镇大宏村横仓路70号  
TEL: 021-59514138 (总机)  
021-59514159 (直线)  
FAX: 021-59514139  
http://www.matsushima-ch.cn E-mail:sales@matsushima-ch.cn

〒807-0831 (更名前: 松岛机械研究所)  
日本国北九州市八幡西区则松東一丁目8番18号  
TEL: 0081-93-6913731  
FAX: 0081-93-6913735



http://www.matsushima-m-tech.com E-mail:sales@matsushima-m-tech.com

两级跑偏开关

Belt Misalignment Detection

两级跑偏开关  
Belt Sway Switch

两级跑偏开关是分两个位置检测输送机皮带的跑偏程度, 根据皮带的跑偏程度输出报警或停止信号的一种开关。  
The BELT SWAY SWITCH functions in two ways; detecting any deviation or sway in the conveyor belt and providing an alarm and sending out signal to stop the conveyor.



使用此开关可防止昂贵的输送皮带受损坏以及因事故引起输送系统的混乱。两级跑偏开关在安全运行输送系统里是不可缺少的, 因此广泛用于钢铁厂, 水泥厂, 化工厂, 火力发电厂等等。

Use of this switch in material transport system can prevent damage to the conveyor belt and/or drive system and avoid consequential confusion on transport lines in the event of an accident.

特長

FEATURES

- 室外用 IP67
- 使用高性能的微动开关和无需加油的滚珠轴承, 侧面滚轮最大可倾斜到75度, 在输送机发生异常偏航时, 开关也会准确动作, 其使用寿命也非常长。
- 接点动作时, 侧面滚轮不转动2度以上就不可恢复(滞后现象的特性), 因此开关动作时的接点关闭不会重复。所以用简单的控制电路可保护皮带输送机。

- Weatherproof Type. IP67
- The Belt Sway Switch is constructed with high reliability microswitches, lubricateless ball bearings, a touch roller which is tilted to 75°, and other parts; its functions are designed with a large margin for sure action and long life.
- The switch has difference of 2 between ON and OFF, to switch certainly at an action point. Therefore, this switch can prevent belt conveyor troubles by a simple circuit.

仕様

SPECIFICATIONS

侧面滚轮的倾斜角度 Inclination angle of touch pulley	MAX 75°	接线口 Lead outlet	标准(非防爆) Standard(Non-Ex-Proof)	G 1/2
侧面滚轮的操作扭力 Operating torque of touch pulley	3.4~5.4Nm(0.35~0.55kgfm)		工厂耐压防爆型·粉尘防爆型 Flameproof type. Dust ignition-proof type	G 3/4
接点数 Contacts	2C		保护结构(ELAP-20型) Enclosure(type ELAP-20)	IP 67
接点容量 Capacity of contact	15A-125. 250VAC 1/2A-125VDC		涂装色 Coating color	Munsell 7.5GY6/10